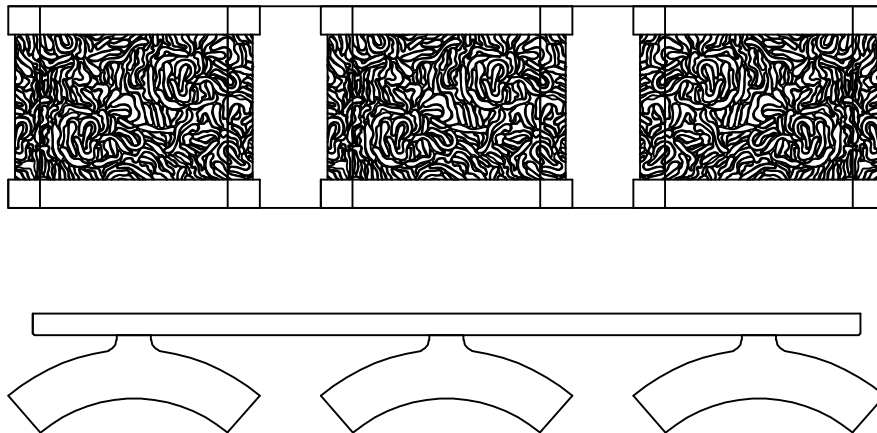




PRODUCT NAME: Curl 24" LED Vanity  
ITEM NUMBER: 39683RRPC

Please consult your electrician for hanging fixture and wiring.



**WARNING:** This fixture is designed to dim with an Electronic Low Voltage dimmer. Dimming levels will vary by dimmer.

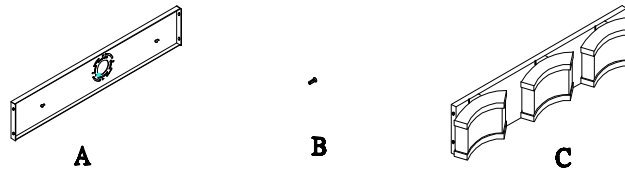
Below is a List of Recommended Dimmers:

- . Legrand Tru-Universal ADTP703TUW4
- . Lutron DVELV-330P
- . Lutron SAELV-153P
  
- . Leviton IPL06-10Z

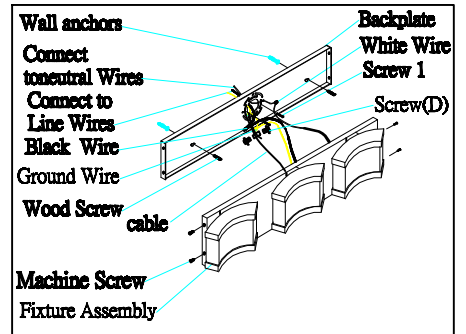
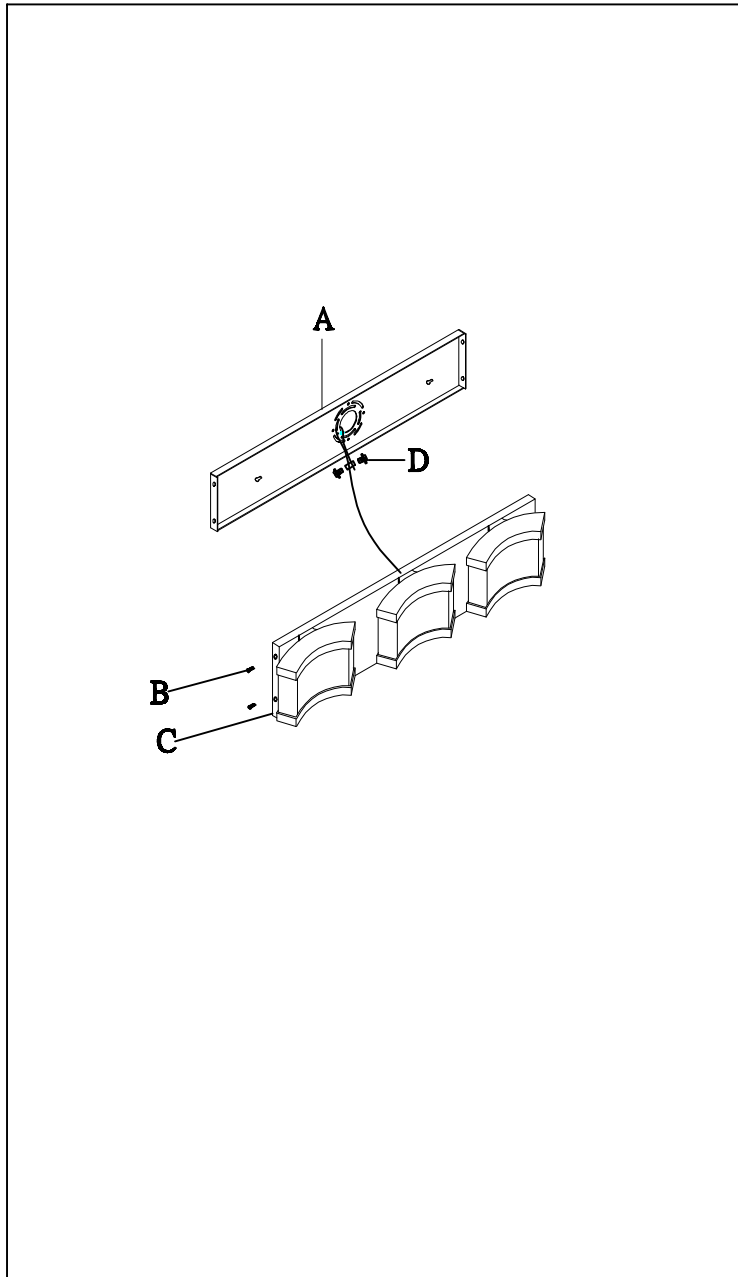
Due to inrush current, wattage should not exceed 150 Watts of product for a 600 Watt dimmer.

6\*5W-LED

**IMPORTANT:** Turn off the power at the main fuse or circuit breaker box before starting installation



**Locate all hardware & components before discarding packaging**



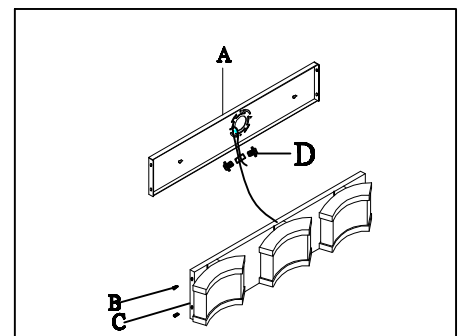
1.)

**Step.1:** remove mounting bracket (A) from fixture (C) and install it to electrical box.

Through the cable to the backplate, then locked by screw(D)

Wire fixture to wires in outlet box. Black is live, White is Neutral. Green wire is for ground.

2.)



**Step.2:** Install fixture to back-plate and tighten screws (B) so that fixture meets the wall.

**Cleaning & Care:**

Clean with soft cloth and a mild detergent.  
Do not use abrasive cleaner.